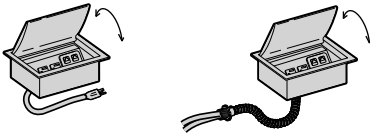
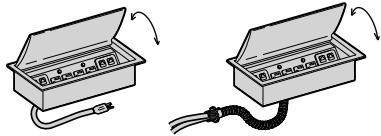


SURFACE RECESSED POWER/COMMUNICATION UNITS

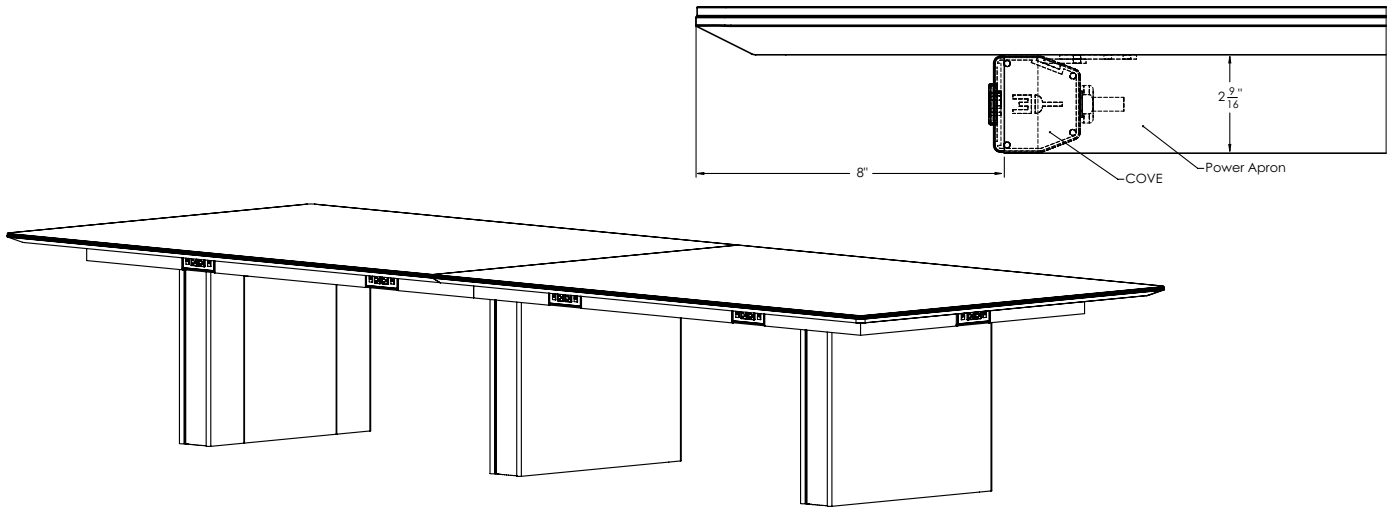
All items below are factory installed. COVE/BOX Access Doors with Frame are Prismatique's proprietary components. Power units are UL Listed and CSA certified. Faceplate connectors must be added.



ITEM	DESCRIPTION	LIST
COVEB – 4	BOX 4 (Available Black or White Interior) LAMINATE OR VENEER TOP	
	: COLORA LID	\$1187.00
	: BRUSHED OR POLISHED ALUMINUM LID	\$1744.00
	: TO MATCH TOP LID	\$2776.00
COVEB – 4S	BOX 4 FOR STONE TOP	
COVEB – 4V	BOX 4 FOR PAINTED BACK GLASS TOP STONE OR PAINTED BACK GLASS OR SOLID SURFACE TOP	
	: COLORA LID	\$1505.00
	: BRUSHED OR POLISHED ALUMINUM LID	\$2057.00
	: TO MATCH TOP LID	\$3095.00
Specify 15 amp plug-in (P) or hardwire (H) connection. Mounts beneath table surface; contains four angled simplex outlets, one angled side and three bottom faceplates. Also includes two USB (2.1) charging outlets. Box is steel 9' cord. Access door is framed, wing shape flush fit aluminum with brush line: 14"x 6". Faceplates extra (see page 32)		
COVEB – 2	BOX 2 (Available Black or White Interior) LAMINATE OR VENEER TOP	
	: COLORA LID	\$968.00
	: BRUSHED OR POLISHED ALUMINUM LID	\$1425.00
	: TO MATCH TOP LID	\$2497.00
COVEB – 2S	BOX 2 FOR STONE TOP	
COVEB – 2V	BOX 2 FOR PAINTED BACK GLASS TOP STONE OR PAINTED BACK GLASS OR SOLID SURFACE TOP	
	: COLORA LID	\$1289.00
	: BRUSHED OR POLISHED ALUMINUM LID	\$1745.00
	: TO MATCH TOP LID	\$2818.00
Specify 15 amp plug-in (P) or hardwire (H) connection. Mounts beneath table surface; contains two angled simplex outlets, two bottom faceplates. Also includes two USB (2.1) charging outlets. Box is steel 9' cord. Access door is framed, wing shape flush fit aluminum with brush line: 8"x 6". Faceplates extra (see page 32)		
INTG2	INTERACT G2 (Available Black or White Interior) LAMINATE OR VENEER TOP	
	: PAINTED LID (Black, White or Silver)	\$730.00
	: BRUSHED ALUMINUM LID	\$984.00
Specify 15 amp plug-in (P) or hardwire (H) connection. Drop-in unit, mount on table surface; contain two angled simplex outlet and one angled side faceplate. Also include Two USB (2.1) charging outlets and knockout for two RJ45 Cat6 data, two cord pass through holes and one convenience plug. Access door is notched. Box is steel 6" cord; 5 1/2"x9" Faceplates extra (see page 32).		

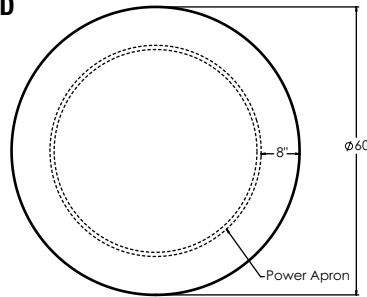
UNDERTOP POWER/COMMUNICATION APRON and COVE UNITS

As an option to recessed surface units, power and communications can be located anywhere along a perimeter undertop apron. Apron is MDF construction attached to subtop. Finish is standard colors of textured colors. COVE power units are flush mounted to apron, quantity and spacing based as specifications.

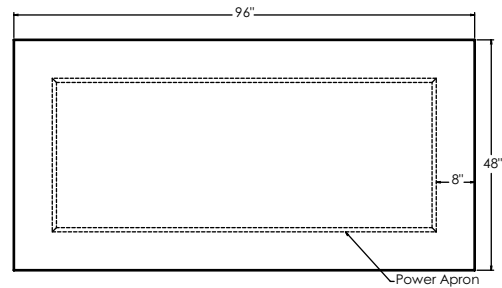


LIST PRICES ARE FOR CONTINUOUS, 3"H PERIMETER APRON RECESSED 8" FROM TABLE EDGE. PRICES DO NOT INCLUDE COVE UNITS.

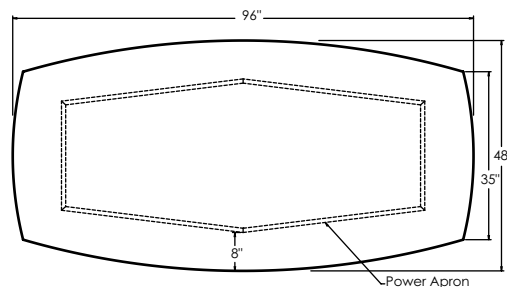
ROUND/SQUARE	QTY1	QTY3	QTY10
48" dia	2182	1938	1467
54" dia	2455	2211	1711
60" dia	2727	2483	1956
72" dia	3273	3029	2200



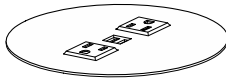
RECTANGLE/ARCED REC	QTY1	QTY3	QTY10
72" x 36"	2770	2284	1468
84" x 42"	2826	2341	1468
96" x 48"	2884	2397	1468
108" x 48"	2921	2436	1468
120" x 48" or 60"	3726	3240	2200
132" x 48" or 60"	3762	3277	2200
144" x 48" or 60"	4045	3558	2446
168" x 60"	4120	3633	2446
192" x 60"	4438	3953	2690
216" x 60"	4514	4272	2934
240" x 60" or 72"	5356	4869	3423



BOAT/WEDGE	QTY1	QTY3	QTY10
72" x 36"	2770	2284	1468
84" x 42"	2826	2341	1468
96" x 48"	2884	2397	1468
108" x 48"	2921	2436	1468
120" x 48" or 60"	3969	3482	2446
132" x 48" or 60"	4007	3520	2446
144" x 48" or 60"	4287	3801	2690
168" x 60"	4362	3877	2690
192" x 60"	4681	4196	2934
216" x 60"	5000	4514	3178
240" x 60" or 72"	5356	4869	3423





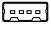
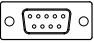
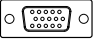
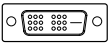



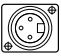


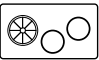
UNDERTOP POWER/COMMUNICATION COVE UNITS and DAISYLINK





ITEM	DESCRIPTION	LIST
COVE	COVE FLUSH MOUNT UNITS WITH USB CHARGING PORTS	
	COVE-1-2 (one simplex + two charging 2.1 USB's) 5" x 2 1/2" x 3 1/4" H (Black, White or Silver) 3 prong plug	\$515.00
	COVE-2-2 (two simplex + two charging 2.1 USB's) 5 3/4" x 2 1/2" x 3 1/4" H (Black, White or Silver) 3 prong plug	\$538.00
COVE-D	COVE FLUSH MOUNT UNITS WITH USB CHARGING PORTS AND DATA CAPABILITY	
	COVE-D-2-2 (two simplex + two charging 2.1 USB's + one face plate) 9 1/2" x 2 1/2" x 3 1/4" H (Black, White or Silver) 3 prong plug	\$548.00
COVE-R	COVE ROUND SERIES	
	COVE-R (two simplex + two charging 2.1 USB's) 6" dia x 3 1/4" H (Black, White or Silver)	\$548.00
	COVE - R2 (one simplex + two charging 2.1 USB's) 5 1/4" dia (as above)	\$539.00
	ADD FOR STONE + VIDRO PBG TOPS	\$1,076.00
	ADD FOR HARDWIRE OPTION FOR ALL ABOVE	\$202.00
INTP - DL - PI	DAISYLINK POWER INFEED CABLES 4 wire, 2 circuit hardwire power infeed 72"	\$300.00
INTP - DL - IC	DAISYLINK INTERCONNECTING CABLES ADD PER INCH OF CABLE	\$68.00 \$1.21/inch

VOICE – NETWORK – PRESENTATION PORTS

All connector modules listed below are mounted on telecom faceplates which snap into surface power/communication units. Supply cables and/or plugs are not supplied and must be hardwired on location by specialists. If no connectors are specified, faceplates are supplied blank. Faceplate capacity is up to 4 ports; more can be accommodated depending on the types required.

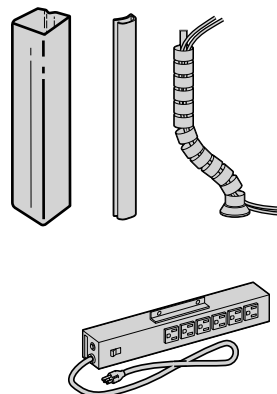
ITEM	LIST
 RJ45 DATA JACK • Cat6 • Siemons • Orange/Black Icon • Hardwired	\$75.00
 RJ11 VOICE JACK • Cat3 • Siemons • White/Black Icon • Hardwired	\$50.00
 USB CONNECTOR • A or B Type • Peripherals • Female	\$75.00
USB 3.0 CHARGING (includes transformer)	\$226.00
 DB9 9 PIN CONNECTOR • Whiteboard, Video Imaging • Female/Female	\$82.00
 VGA CONNECTOR 15 PIN VGA CONNECTOR • Computer, Video • Female/Female	\$129.00
 DVI Digital Visual Interface	\$192.00
 HDMI High Definition Multi Media Interface	\$145.00
 MINI STEREO AUDIO JACK • 3.5mm • Female/Solder	\$16.00
 RCA AUDIO/VIDEO PORT • White, Red or Yellow • Female/Female	\$32.00
 XLR 4 PIN CONNECTOR • Audio (microphones, etc.) • Female/Solder	\$152.00
 S VIDEO SVHS CONNECTOR • Audio Visual • Female/Solder	\$162.00
 BLANK FACEPLATE • Black • White	\$28.00 \$41.00
 CORDMINDER PLATE • Black • White	\$63.00 \$76.00

SAMPLE FACEPLATES include many of more popular combos with item # and total list price. Telecom faceplates measuring 3 1/8" x 1 3/4" may be specified in a variety of configurations for connections to voice, network, multimedia and presentation equipment. Below are a few samples.

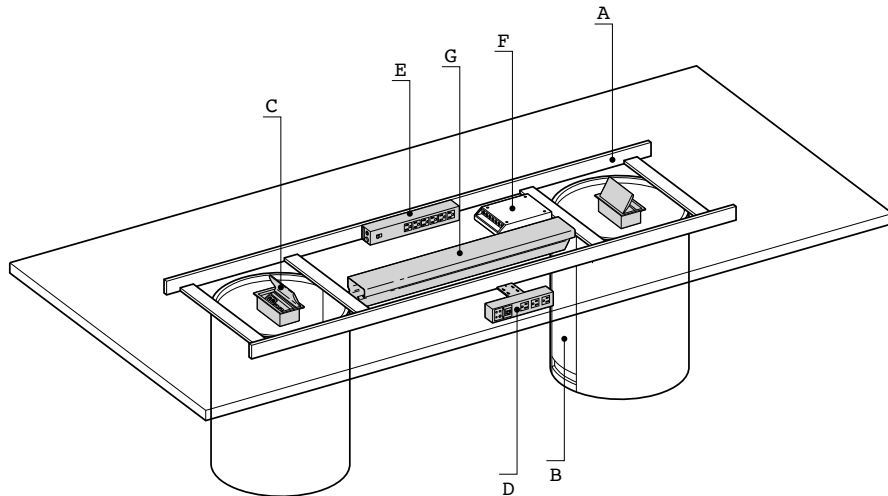
	(1) RJ11 (1) RJ45
	(1) USB (1) S VIDEO (1) RJ45

WIRE MANAGEMENT • MISCELLANEOUS

ITEM	LIST
COM POWER UNIT Cutout only up-charge (laminated/veneer)	\$275.00
COM POWER UNIT Cutout and housing up-charge (glass/stone)	\$1,077.00
COM POWER UNIT Cutout, housing and lid up-charge - (laminated/veneer) (glass/stone)	\$2,316.00 \$2,635.00
MICROPHONE HOLE Cutout up-charge (laminated/veneer) (glass/stone)	\$39.00 \$118.00
GROM1 GROMMET • 2 1/4" dia. (3" dia. Cover). Black or Silver	\$39.00
GROM2 GROMMET • 1 3/4" dia. (2 3/4" dia. Cover). Black. Grommets are factory installed.	\$39.00
GROM3 2" dia BRUSHED GROMMET. (laminated/veneer) (glass/stone)	\$170.00 \$253.00
GROM4 2" dia POLISHED GROMMET. (laminated/veneer) (glass/stone)	\$181.00 \$264.00
WHV HORIZONTAL WIRE MANAGER Self stick. Price per foot. Supplied (no charge) with Surface Power/Communication Units.	\$16.00 /ft.
LWM LARGE WIRE MANAGER Supplied (no charge) with all meeting table series.	\$29.00 /ft.
IT PODIUM 10" x 10" tabletop to floor box with hinged access door (colora) (brushed or polished stainless steel)	\$2,167.00 \$2,383.00
SNAKE VERTICAL WIRE MANAGER Flexible wire through in Black or Silver. 2 1/2" dia. X 32" long; 4" dia. Weighted base.	\$233.00
LM LEG WIRE MANAGER Snap on table legs. Approx. 24" long. Supplied (no charge) with Surface Power/Communication Units. Black.	\$39.00
PBS POWER BAR • SUPPRESSOR Single circuit power bar with six 15 amp outlets, off/on switch with light indicator, surge suppressor and noise filter. Provides maximum protection for computers and other electronic equipment. Metal housing. 6' cord.	\$414.00

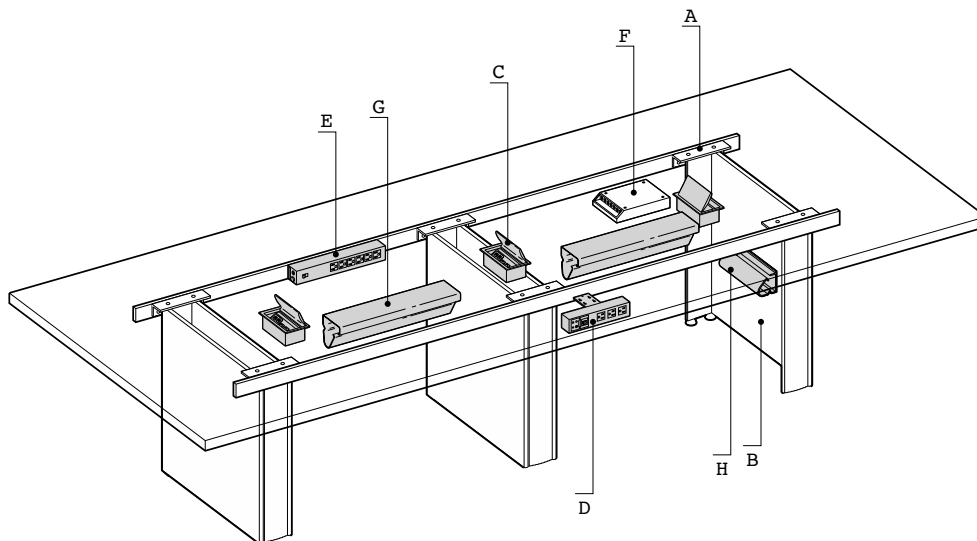


STANDARD POWER COMMUNICATION CABLE MANAGEMENT - DETAILS/TYPICALS



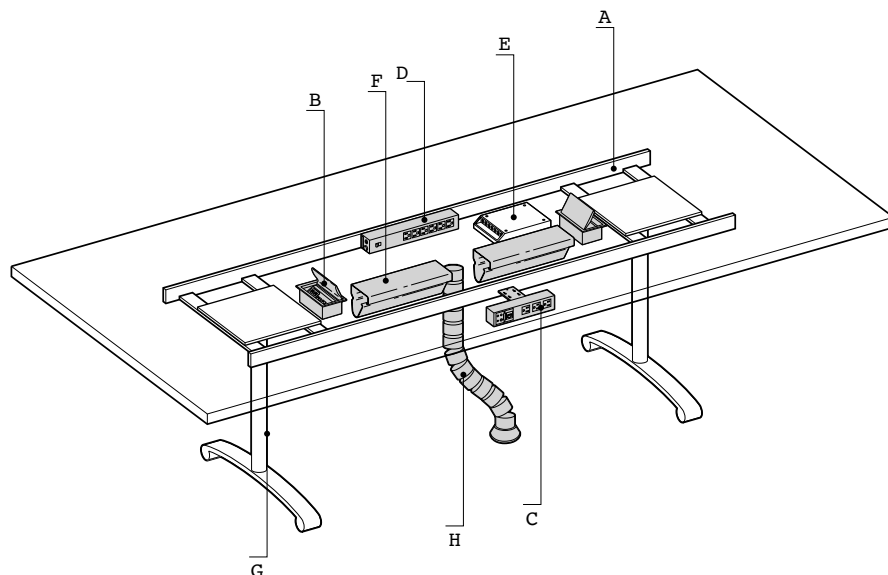
Drum Base • Wood, Vidro and Stone

- A Table Top Support Rail
- B Removable Base Access Panel
- C Surface Power Unit
- D Under top Power Unit
- E Surge Protected Power Bar
- F Data Hub (client supplied)
- G Large Wire Manager



Panel Base • Wood, Vidro and Stone

- A Table Top Support Rail
- B Removable Side Panel
- C Surface Power Unit
- D Under top Power Unit
- E Surge Protected Power Bar
- F Data Hub (client supplied)
- G Large Wire Manager
- H Cable Bin

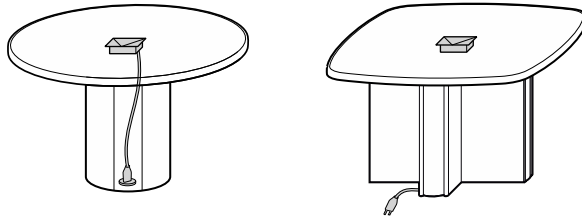


T Base • Wood, Vidro and Stone

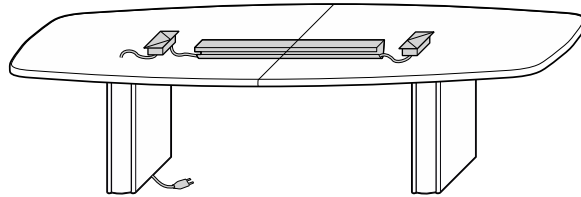
- A Table Top Support Rail
- B Surface Power Unit
- C Under top Power Unit
- D Surge Protected Power Bar
- E Data Hub (client supplied)
- F Large Wire Manager
- G Snap-on Leg Wire Manager
- H Snake Wire Manager

STANDARD POWER COMMUNICATION CABLE MANAGEMENT - DETAILS/TYPICALS

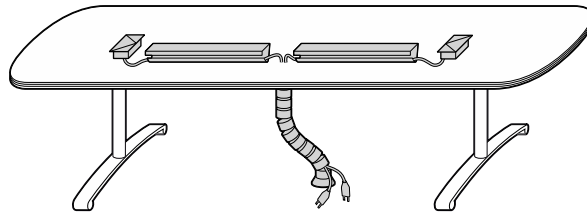
Cabling through base cavities. Core drill within or adjacent to table base.



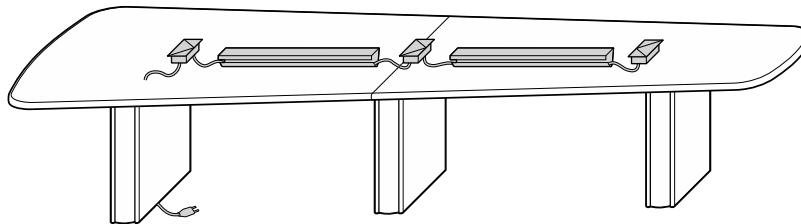
Two surface power units daisychained – single floor monument. Cables routed through Large Wire Manager.



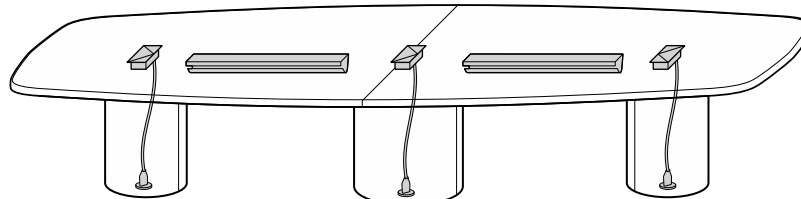
Two surface power unit cables run through Large Wire Manager and routed down to floor level with Snake Manager.



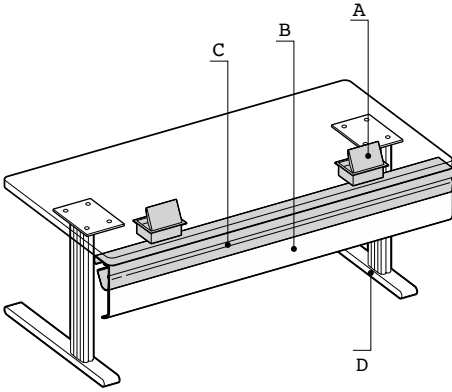
Three surface power units daisychained – single core drill. Horizontal cabling within Large Wire Managers.



Three surface power units with three floor power sources. Large amounts of communication cables run inside Large Wire Manager.



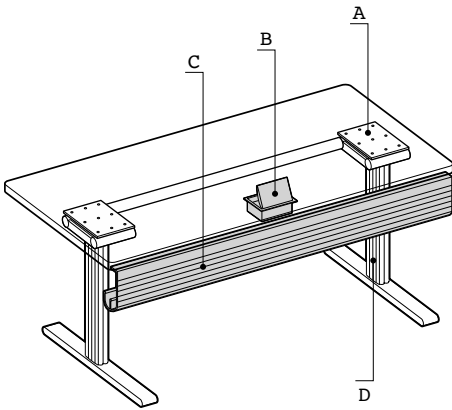
TRAINING TABLES - STANDARD CABLE MANAGEMENT - DETAILS/TYPICALS



Nextt and Kable (shown)

C Base • Fixed

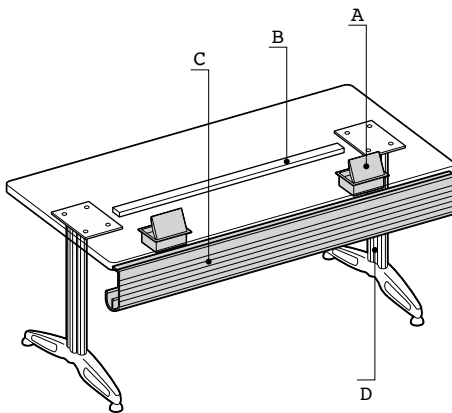
- A Surface Power Unit
- B Large Wire Manager
- C Flat Fixed Modesty
- D Removable Base Cover Strip



Nextt and Kable (shown)

T Base • Flip Top

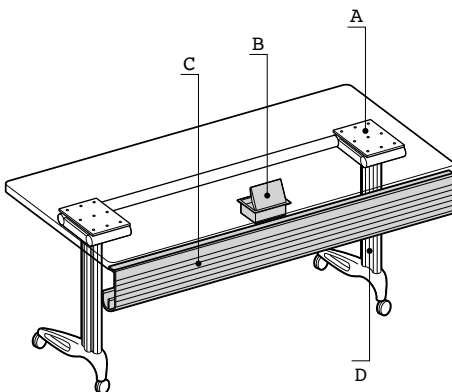
- A Flip Top Mechanism
- B Surface Power Unit
- C J Modesty/Wire Bin
- D Removable Base Cover Strip



Infinity

T Base • Fixed

- A Top Support Rail (when required)
- B Surface Power Unit
- C J Modesty/Wire Bin
- D Removable Base Cover Strip



Infinity

C Base • Flip Top

- A Flip Top Mechanism
- B Surface Power Unit
- C J Modesty/Wire Bin
- D Removable Base Cover Strip